

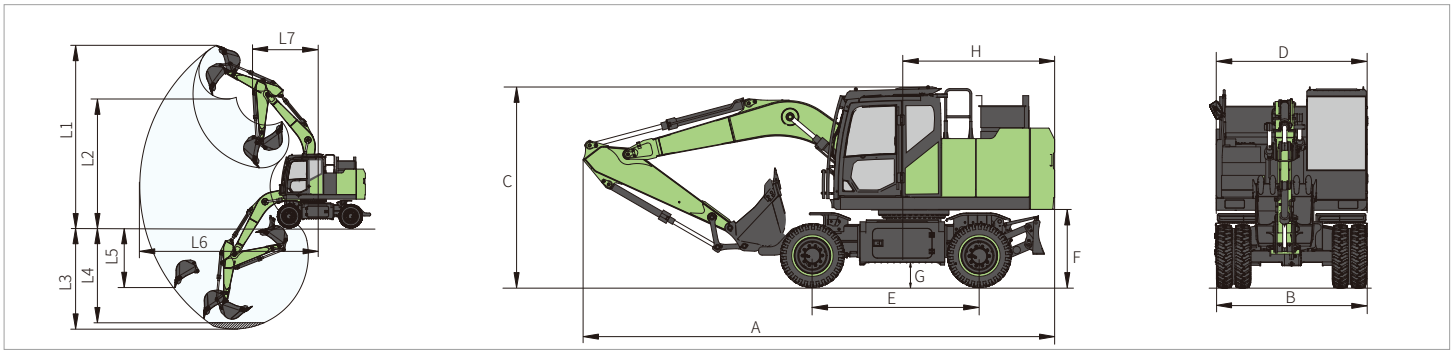
# XE160WEV

Electric wheeled hydraulic excavator



- Operating weight ( kg ): 17700
- Bucket capacity ( m<sup>3</sup> ): 0.6
- Rated power ( kW ): 85

- Electronically controlled positive flow system. Energy saving and environment-friendly, smooth operation; Adaptable to a wide range of attachments.
- Wire controlled electric drive undercarriage. Smooth start and stop, sensitive speed, low noise, and high energy efficiency.
- Support dual plug DC charging, fast charging, strong continuous operation ability, can achieve full charging in 1 hour and work for 6-8 hours.
- Suitable for short distance transfer in municipal, construction, waste disposal, port and agricultural water conservancy, as well as construction in fixed sites such as steel mills and power plants.



## Technical Specifications

Item contents	Unit	Parameters
Operating weight	kg	17700
<b>Battery system</b>		
Battery type	-	Lithium iron phosphate
Battery system energy	KWh	396.44
Battery system capacity	Ah	684.0
Battery system voltage	V	579.6
Thermal management system	-	Heating: water heating Cooling: Liquid cooling
Fast charge	h	2
Charge power	kW	2 × 180

Traveling electric motor		
Type	-	Permanent magnet synchronous traction motor
Rated working voltage	V	437
Rated/Peak torque	Nm	492/900
Rated/Peak power	kW	85/150
Rated/Peak rotating speed	Rpm	1650/3000

Traveling electric motor		
Type	-	Permanent magnet synchronous traction motor
Rated working voltage	V	382
Rated/Peak torque	Nm	500/1000
Rated/Peak power	kW	80/150
Rated/Peak rotating speed	Rpm	1530/4000

Main performance		
Travel speed (H/L)	km/h	38/8.5
Rotating speed	r/min	9.5
Gradeability	°	≤26
Bucket digging force	kN	100
Arm crowd force	kN	80
Maximum traction	kN	68

Hydraulic system		
Rated flow of main pump	L/min	2 × 136 (1700rpm)
Pressure of prime valve	MPa	34.3
Pressure of travel system	MPa	34.3
Pressure of swing system	MPa	25
Pressure of pilot system	MPa	3.9

Oil capacity		
Hydraulic tank capacity	mm	115

Item contents	Unit	Parameters
<b>Dimensions</b>		
A Overall length	mm	7910
B Overall width	mm	2530
C Overall height	mm	3200
D Width of platform	mm	2530
E Wheelbase	mm	2850
F Clearance under counterweight	mm	1258
G Min. ground clearance	mm	350
H Min. tail swing radius	mm	2380

Working range			
L1	Max. digging height	mm	8210
L2	Max. dumping height	mm	5875
L3	Max. digging depth	mm	4620
L4	Maximum depth cut for 8 ft level bottom	mm	4315
L5	Max. vertical wall digging depth	mm	4135
L6	Max. digging reach	mm	7780
L7	Min. swing radius	mm	2760
L8	Maximum dozer lifting height	mm	534
L9	Maximum dozer cutting depth	mm	120

Standard		
Length of boom	mm	4600
Length of arm	mm	2100
Bucket capacity	m <sup>3</sup>	0.6

